

57 Compression Latch

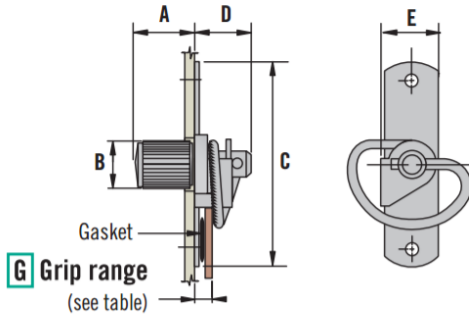
Self-adjusting · Spring latch series

Features

- Four sizes available
- Three hole installation
- Accommodates grip variances

Material

- Steel, zinc plated or stainless steel

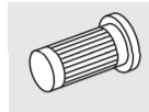


Size	A	B	C	D	E
Miniature	11.9 (.47)	13.5 (.53)	27 (1.06)	7.5 (.03)	8.5 (.33)
Small	15.1 (.59)	14.7 (.58)	39.7 (1.56)	11.1 (.44)	11.6 (.46)
Medium	19.1 (.75)	24.1 (.95)	58.7 (2.31)	17.5 (.69)	17.5 (.69)
Large	26.2 (1.03)	28.2 (1.11)	88.9 (3.5)	25 (.98)	26.2 (1.03)

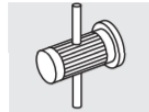
Nylon knob



Knurled



T-bar



Slot



Hex recess



Tool recess



57 Series

Size	G Grip Range		Knurled	Slotted	Nylon Knob
	Minimum	Maximum			
Mini	1.2 (.05)	4.3 (.17)	57-20-201-10	57-20-101-10	57-20-401-10
Small	1.2 (.05)	6.4 (.25)	57-30-201-10	57-30-101-10	57-30-401-10
Medium	1.6 (.06)	9.5 (.38)	57-10-201-10	57-10-101-10	57-10-401-10
Medium (stainless)	1.6 (.06)	9.5 (.38)	57-10-201-40	57-10-101-40	~
Large	2.4 (.09)	14.3 (.56)	~	57-40-101-10	57-40-401-10